



\*EP004242413A1\*

(11) EP 4 242 413 A1

(12) EUROPEAN PATENT APPLICATION

(43) Date of publication:  
13.09.2023 Bulletin 2023/37

(51) International Patent Classification (IPC):  
E06B 9/42 (2006.01) E06B 9/72 (2006.01)

(21) Application number: 23159581.0

(52) Cooperative Patent Classification (CPC):  
E06B 9/42; E06B 9/72; E06B 9/50

(22) Date of filing: 02.03.2023

(84) Designated Contracting States:  
AL AT BE BG CH CY CZ DE DK EE ES FI FR GB  
GR HR HU IE IS IT LI LT LU LV MC ME MK MT NL  
NO PL PT RO RS SE SI SK SM TR  
Designated Extension States:  
BA  
Designated Validation States:  
KH MA MD TN

(72) Inventors:  
• HENDRIKS, Wouter  
7548 AX Enschede (NL)  
• ESSINK, Ike  
7641 CC Wierden (NL)  
• NIJLAND, Jochem Andreas  
7491 KG Delden (NL)

(30) Priority: 08.03.2022 NL 2031190

(74) Representative: Mink-Lindenburg, Charlotte  
Hildegard  
Octrooibureau Mink B.V.  
P.O. Box 85658  
2508 CJ The Hague (NL)

(71) Applicant: Coulisse B.V.  
7468 DC Enter (NL)

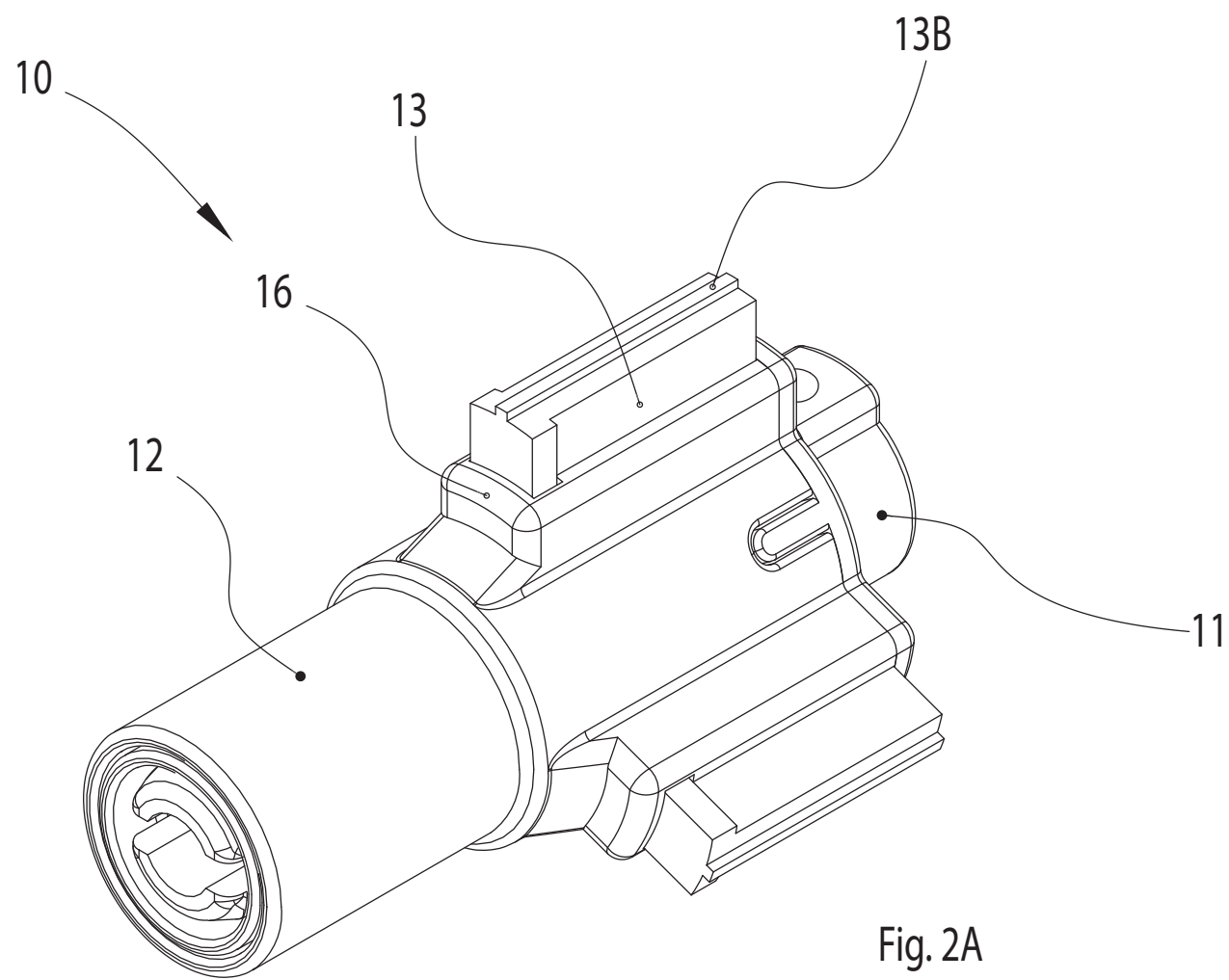


Fig. 2A

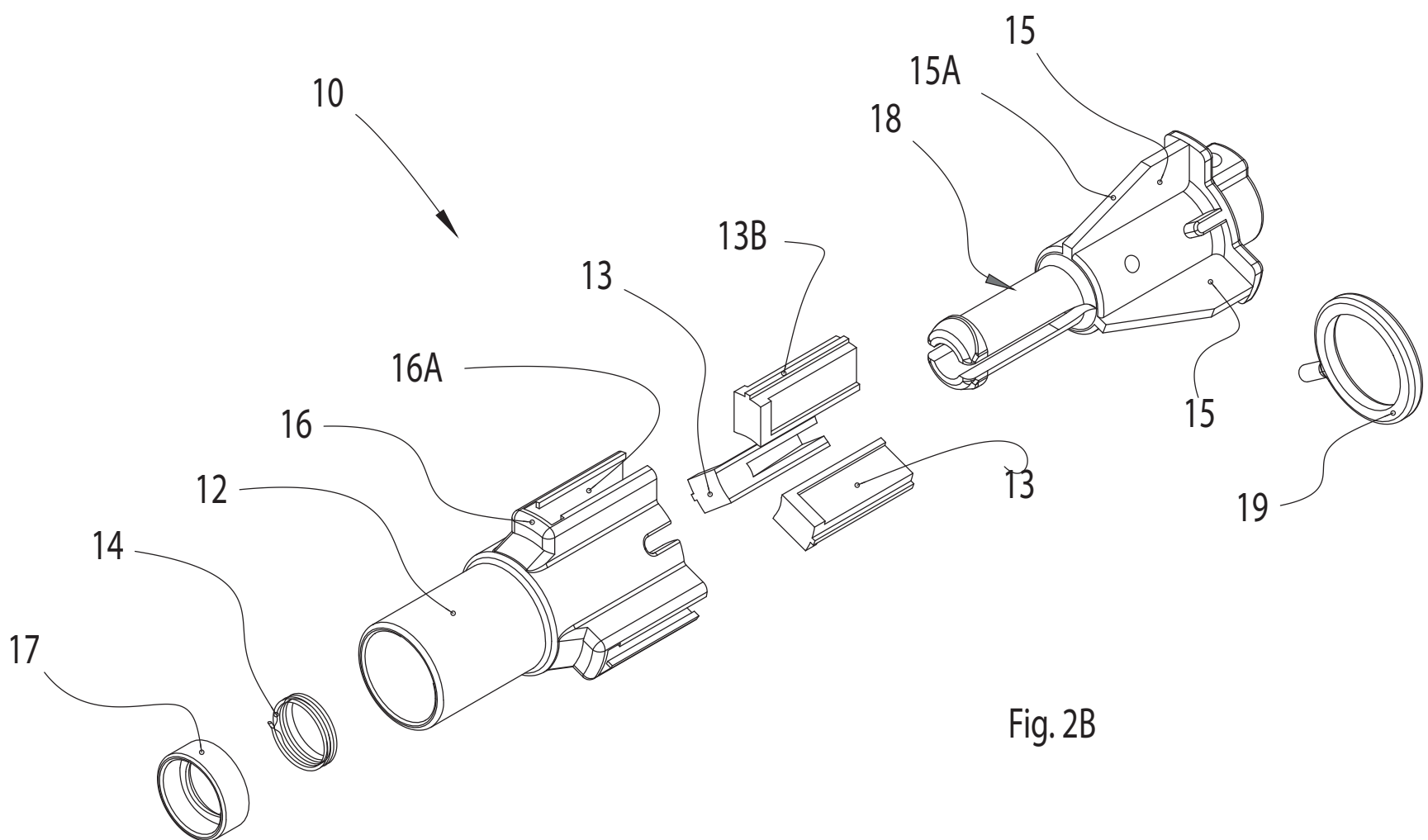


Fig. 2B

# COULISSE

since 1992

## ENGINEERING